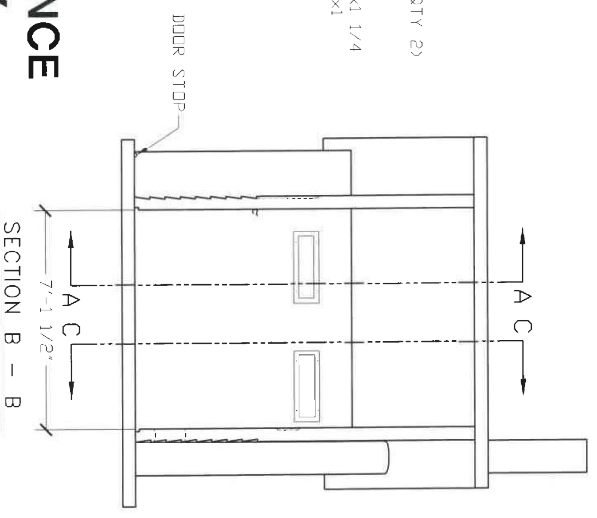
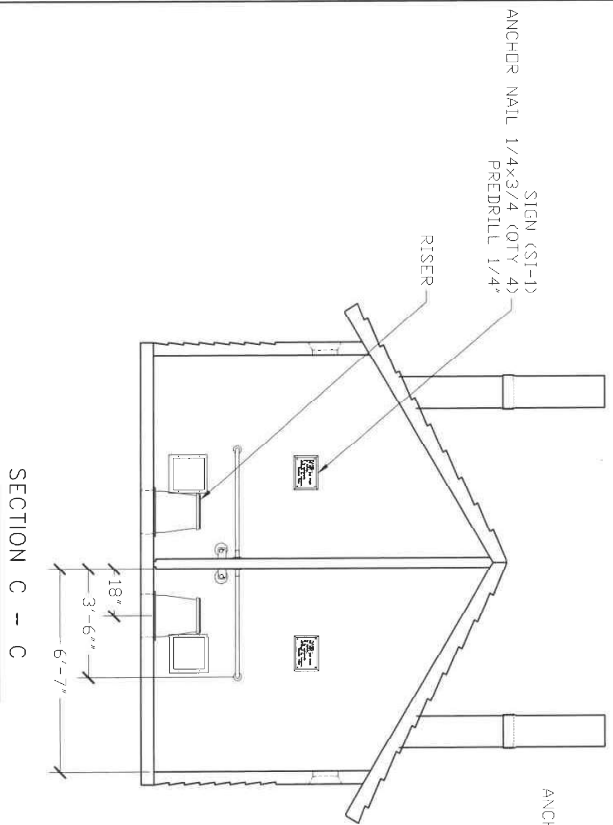


SECTION A - A

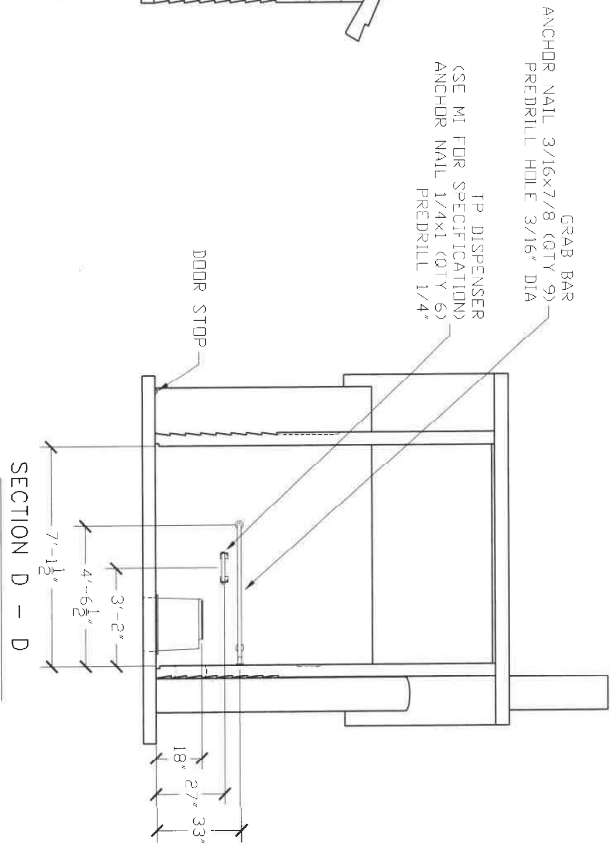
**FOR
REFERENCE
ONLY**



SECTION B - B



SECTION C - C



SECTION D - D

REQUIRED MATERIALS			
ITEM	QTY	UNIT	CON
RISER	2	ONE WAY COAL SH 1/4	4
GRAB BAR	2	ANCHOR (1.0) 5-8x1	4
IP DISPENSER	2		
TOILET PAPER ROLL	4-6		
COAT HOOK	2		
DOOR STOP	2		
SI-1	7		
BLIND RIVET 7/8x1/4	4		
CXT 1.D. TAG	2		
ANCHOR NAIL 1/4x1	12		
ANCHOR NAIL 1/4x3/4	8		
ANCHOR NAIL 3/16x7/8	18		
CU. FT. CONC.	52	CU. YD. MORT.	APPROXIMATE WEIGHT

CXT
Precast Products

DOUBLE CASCADIAN
CXT STANDARD BUILDING

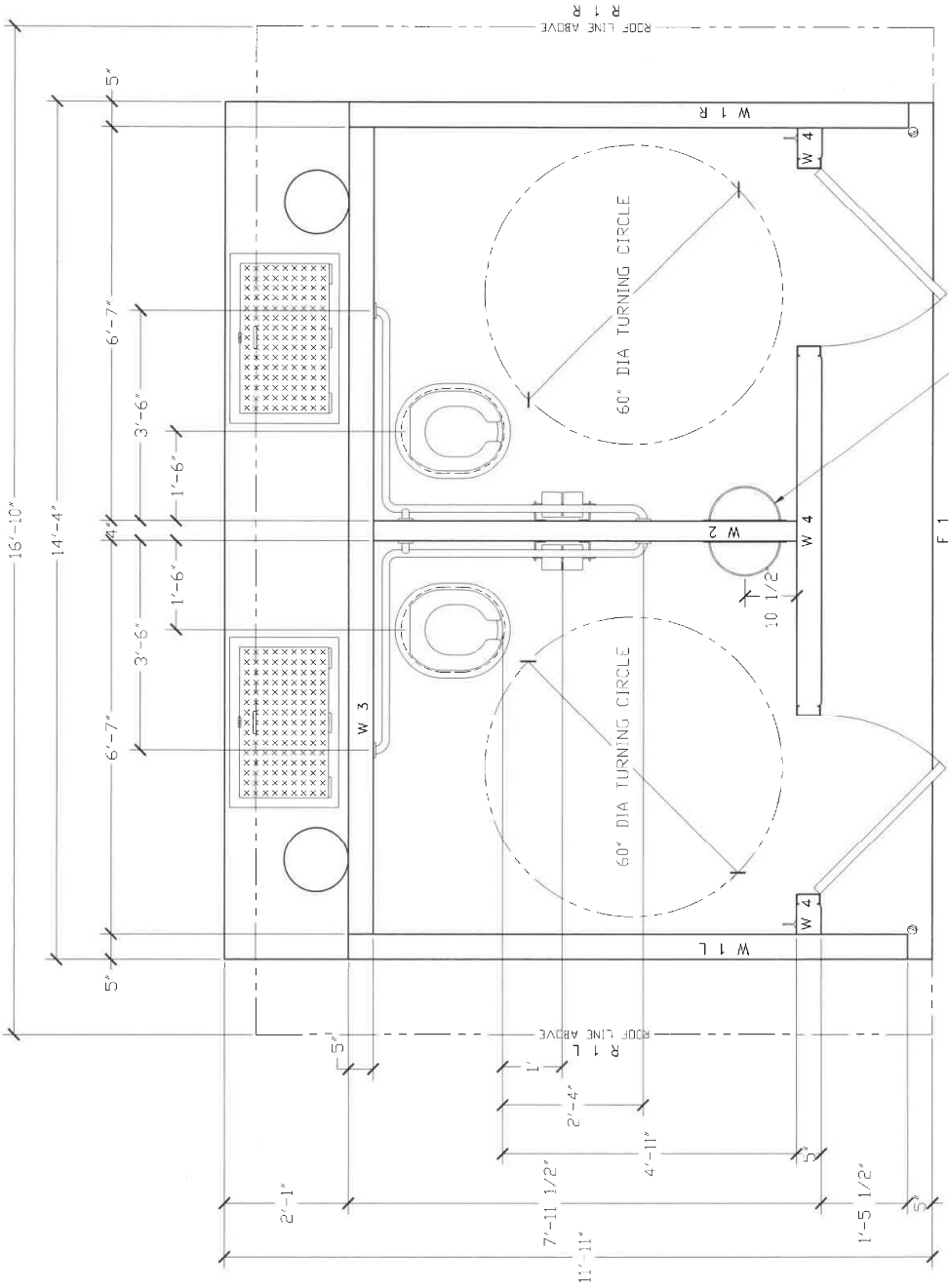
NOTICE
The information contained herein is proprietary and the exclusive property of CXT Incorporated. The information contained herein is provided for your information only and is not to be used for any other purpose without the written consent of CXT Incorporated. Any copying or use of this information is strictly prohibited without the prior written consent of CXT Incorporated. The information is provided for your information only and is not to be used for any other purpose, including a warranty of merchantability or of fitness for a particular purpose.
CXT Incorporated

REV.	DESCRIPTION	APPROVAL	DATE
SCALE	1/4"=1'-0"	DATE	07-19-16
DRAWN		FILE NO.	PD-DC03
CHECKED		PLT	48

INTERIOR ELEVATIONS

DWG. NO. DC-03

SHEET / REV.



OPTIONAL WASTE PAPER BASKET
MOUNT 12" OFF FINISHED FLOOR
(SEE M1)

**FOR
REFERENCE
ONLY**

PROPERTY OF
DEC 17 2011
Kittling Co. ODS



Precast Products
PROJECT TITLE
DOUBLE CASCADIAN
CXT STANDARD BUILDING

NOTICE
The information contained herein is proprietary and the exclusive property of CXT Incorporated. The information may only be used by the original recipient for the purpose stated. Any other use, reproduction, or distribution is strictly prohibited without the prior written consent of CXT Incorporated. By allowing use of this information, CXT Incorporated grants no warranty, express or implied, regarding the suitability of merchantability or fitness for a particular purpose.
CXT Incorporated

REV.	DESCRIPTION	APPROVAL	DATE
SCALE	1/2" = 1'-0"	DATE	07-19-16
DRAWN		FILE NO.	PD-DC04
CHECKED		PLOT	24

FLOOR PLAN

DWG NO. DC-04

SHEET REV.

